

MOTOR SPECIFICATION SHEET

MODEL : SF-QRGH 1/2HP 4P RATIO 1:50 (LT)

USED FOR : GEAR MOTOR

DESCRIPTION	DETAIL			
PHASE	3			
MODEL NAME	SF-QRGH			
RATED OUTPUT, HP (kW)	1/2 (0.4)			
POLE	4			
CODE	MEATH CODE : 1G7050-0040N-LTQR0			
OUTLINE DRAWING NO.	ONM74O333-A			
RATED VOLTAGE (V)	220	380	415	
RATED FREQUENCY (Hz)	50	50	50	
RATED CURRENT (A)	2.00	1.14	1.18	
RATED SPEED (min ⁻¹)	27.5	27.5	28	
RATED EFFICIENCY (%)	73.3	73.3	72.0	
EFFICIENCY CLASS	IE1			
THERMAL CLASS	155(F)			
RATING	S1 (CONTINUOUS)			
ENCLOSURE CONSTRUCTION	TOTALLY ENCLOSED FAN COOLED			
DEGREES OF PROTECTION	IP55			
METHOD OF COOLING	IC411			
FRAME NO.	71M			
WEIGHT (kg)	12			
STANDARD	IEC 60034-1, IEC 60034-30-1			
INSTALLATION	FOOT MOUNTED			
ROTATION	CCW (VIEWED FROM SHAFT END)			
BEARING	LOAD SIDE : 6203ZZ			
	OPPOSITE SIDE : 6201ZZ			
BEARING GREASE	UREA GREASE			
CIRCUMSTANCE CONDITION	AMBIENT TEMPERATURE : -20 ~ +40°C			
	AMBIENT HUMIDITY : 95%RH OR LESS			
	ABOVE SEA LEVEL : 1000m OR LESS			
	ENVIRONMENT : NO BURSTING/EROSIVE GAS OR VAPOR			
COLOR	MUNSELL N1.5 (BLACK)			
TERMINAL BOX	NO. OF LEAD WIRES : 6			
	SOURCE CONNECTION : TERMINAL BLOCK			
GEAR RATIO	1:50			
GEAR LUBRICANT	GREASE (Filled from factory.)			
SERVICE FACTOR	1.4			
MATERIAL	FRAME : STEEL PLATE			
	BRACKET (GEAR SIDE) : CAST IRON			
	BRACKET (OPP SIDE) : STEEL PLATE			
	GEAR CASE : CAST IRON			
	SHAFT (MOTOR) : STEEL			
	SHAFT (GEAR OUTPUT) : STEEL			
	STATOR CORE : ELECTRICAL STEEL			
	WIRE : ENAMELLED COPPER MAGNET WIRE			
	ROTOR CORE : ELECTRICAL STEEL			
	CONDUCTOR : ALUMINIUM			
	TERMINAL BOX : STEEL PLATE			
PAINTING	PAINTING : POLYURETHANE RESIN			
	PRODUCTION COUNTRY : THAILAND			

Specifications subject to change without notice.

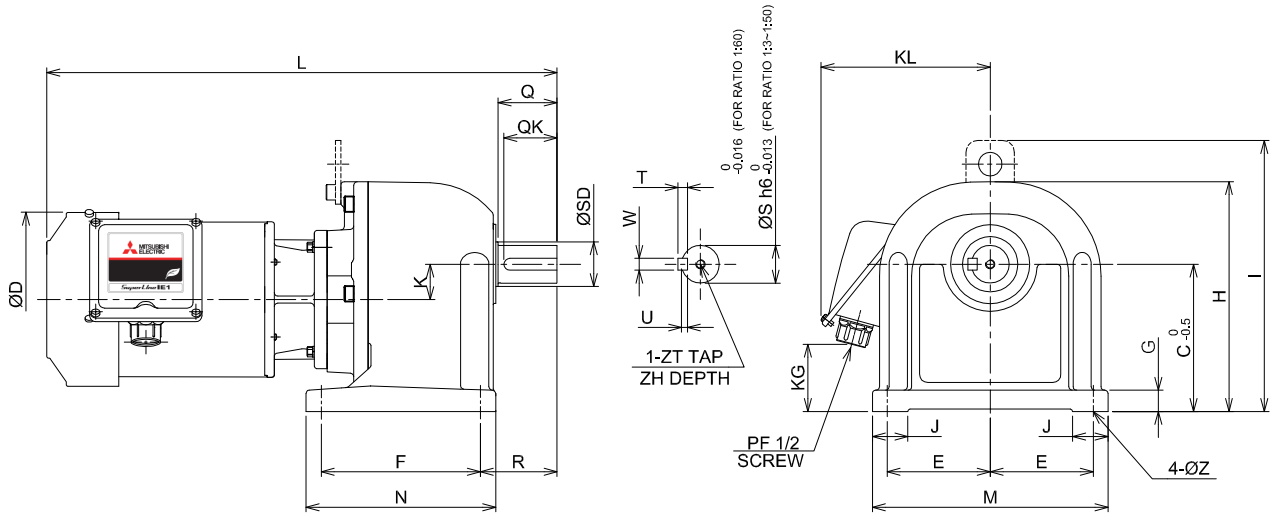
SPECIFICATION SHEET NO.

SS-M-7870-B

MODEL SF-QRGH THREE PHASE INDUCTION MOTOR OUTLINE DRAWING

GEAR MOTOR
 TOTALLY ENCLOSED FAN COOLED
 DEGREES OF PROTECTION IP55
 DUST & WATER JET PROOF

CUSTOMER _____
 USER _____
 FOR _____
 CUSTOMER'S ORDER NO. _____
 QUANTITY _____
 MFG. ORDER NO. _____



YOUR ORDER	GEAR RATIO	DIMENSION(mm.)																			WEIGHT (kg.)						
		L	Q	QK	ØD	K	F	R	N	T	W	U	ZT	ZH	ØS	ØSD	KL	KG	J	E		M	G	C	H	I	ØZ
	1:3~1:50	379	36	32	148	20	85	50	109	6	6	3.5	M8	12	22	24	140	49	25	75	170	15	100	160	-	10	12
	1:60	433	50	45	148	30	135	65	161	8	10	5	M8	12	32	34	140	64	30	87.5	200	18	125	195	230	12	26

YOUR ORDER	MOTOR FRAME SIZE	RATING	TH. CLASS	AMB. TEMP	BEARINGS		COLOR	GEAR RATIO	DIRECTION OF ROTATION (VIEWED FROM SHAFT END)	NO. OF LEAD WIRES	REMARKS
					LOAD SIDE	OPP. SIDE					
	71M	S1 (CONT.)	155(F)	40°C	6203ZZ	6201ZZ	BLACK (MUNSELL N1.5)	1:3~1:50	CCW	6	
								1:60	CW		

YOUR ORDER	RATIO	SERVICE FACTOR	MOTOR OUTPUT		POLE	VOLT	HERTZ	OUTPUT SPEED (min ⁻¹)	AMP.	IE CODE-RATED EFF.	TYPE	LUBRICATION TYPE
			HP	kW								
	1:3	1.4	1/2	0.4	4	220/380/415	50	465/465/470	2.00/1.14/1.18	IE1-73.3%/73.3%/72.0%	LT	GREASE ⁽¹⁾
	1:5	1.4	1/2	0.4	4	220/380/415	50	280/280/285				
	1:10	1.4	1/2	0.4	4	220/380/415	50	140/140/143				
	1:15	1.4	1/2	0.4	4	220/380/415	50	94/94/96				
	1:20	1.4	1/2	0.4	4	220/380/415	50	73/73/74				
	1:25	1.4	1/2	0.4	4	220/380/415	50	55/55/55.5				
	1:30	1.4	1/2	0.4	4	220/380/415	50	46.5/46.5/47				
	1:40	1.4	1/2	0.4	4	220/380/415	50	35/35/35				
	1:50	1.4	1/2	0.4	4	220/380/415	50	27.5/27.5/28				
	1:60	1.4	1/2	0.4	4	220/380/415	50	23.5/23.5/23.5				

NOTE : (1) GREASE HAD BEEN FILLED FROM MANUFACTURER ALREADY.

MITSUBISHI ELECTRIC AUTOMATION (THAILAND) CO.,LTD.

	DIMENSION IN mm.	OUTLINE DRAWING NO.	REV.
	SCALE : NTS	ONM740333	A